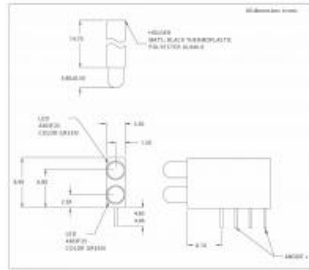




Products

Circuit Board Indicators

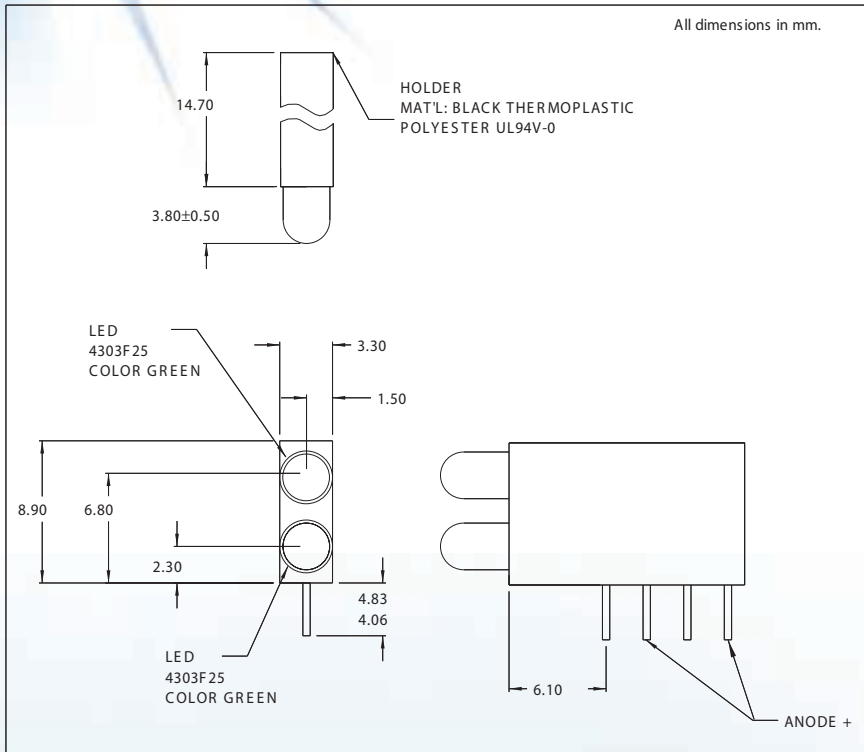
CML LED assemblies are available in both right angle and vertical package and utilize the CML IT line of high quality LEDs. Parts range in voltage from 2V to 12V and in current from 2mA to 20mA. The UL94V0 housings ensure proper LED alignment.



Part Number: 5682F5
 Serial Number: 5682F
 Emitted color: Green
 Lens color: Green
 Lum in min (mcd): 9
 Lum in typ (mcd): 25
 Rated current (mA): 10.0
 Cont forward current max: 30.0
 Fwd volts type: 2,1
 Forward volt max.: 3.0
 Reverse breakdown V: 5
 Viewing angle (°): 55
 Peak wave length (nm): 563
 Housing type: UL94V-0
 RoHS Status: Yes

5682F Series Dual Mount T-1 LED Assembly

DESCRIPTION AND FEATURES



Features:

- 2 T-1 LEDs mounted in single block saves space and assembly time.
- High density only 0.13 wide.
- Black plastic mounting block for high contrast ratio.
- Meets UL 94V-O and Bellcore flammability specifications.

Available options:

- Low current, 5V and 12V built-in resistors.
- Bi-color and blue LEDs also offered.
- Call factory for ordering information.

Mounting hole pattern on page 1-X3.

Ordering Information: Use chart below to determine model number.

	Red	Amber	Green	Yellow
LED	1	3	5	7

Model No. is as follows: 5682F ;
Top LED Bottom LED

Example: To order red LED on top and green LED on bottom, the part number would be 5682F1;5.

ELECTRO-OPTICAL CHARACTERISTICS AND RATINGS

Part Number	Emitted Color	Rated Current (mA)	Typ. Intensity (mcd)	Continuous Forward Current Max. (mA)	Forward Voltage		Reverse Breakdown Voltage Min.(V)	Peak Wavelength (nm)
					Typ. (V)	Max. (V)		
5682F1	Red	10	10.0	25	2.2	3.0	5.0	635
5682F3	Amber	10	6.5	25	2.2	3.0	5.0	602
5682F5	Green	10	8.5	25	2.3	3.0	5.0	565
5682F7	Yellow	10	10.0	20	2.2	3.0	5.0	583